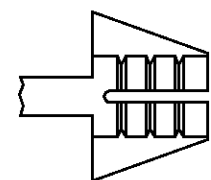
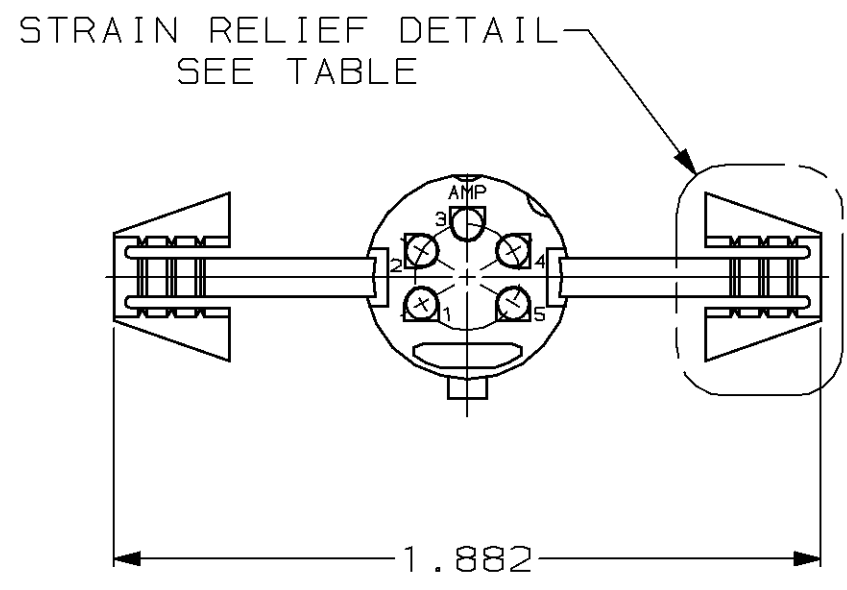
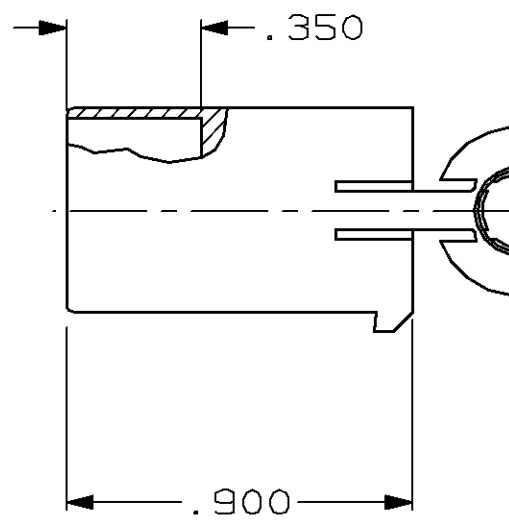
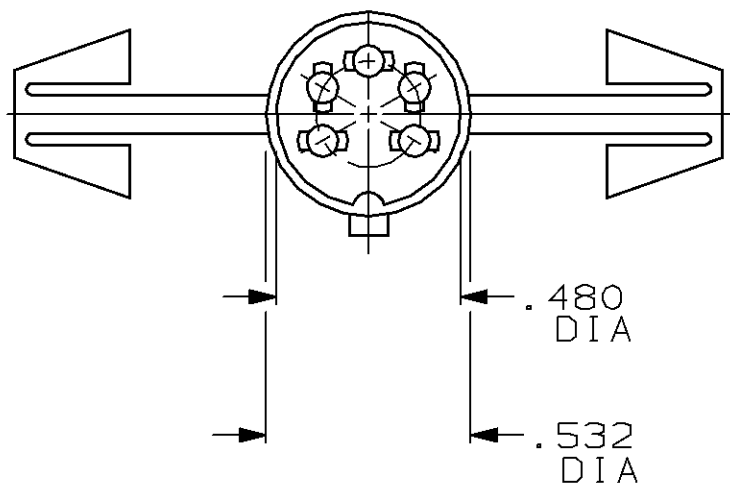


LOC	DIST	P	F	ZONE	LTR	DESCRIPTION	DATE	APPD
BD	39				D	REDRAWN	8/24/90	KB
					E	OBS -2 PER EC 0020-1305-95	16 MAY 96	RB



TYPE I  
STRAIN RELIEF DETAIL  
2 PLC

1. ASSEMBLES WITH 207314.

OBSOLETE	.175 DIA	TYPE I	207488-2
	.225/.247 DIA	AS SHOWN	207488-1
	FITS CABLE SIZE	STRAIN RELIEF	PART NO.

DO NOT SCALE PRINT. UNLESS SPECIFIED DIMENSIONS IN INCHES TOLERANCES ON : 2 PLC DEC ± - 3 PLC DEC ± .005 ANGLES ± -		DR 8/24/90 A. STAUB BG		AMP Incorporated Harrisburg, PA 17105-3608	
MATERIAL THERMOPLASTIC, COLOR-BLACK		CHK 5-30-91 H. MOLL			
FINISH -		APPD 6-3-91 K. BEAVER		NAME HOUSING, PIN CONTACT, AUDIO MICROPHONE CONNECTOR, 5 POSITION	
		APPD 6-17-91 J. FULPONI			
		PRODUCT SPEC -		SIZE C 00779	
		APPLICATION SPEC -		DRAWING NO 207488	
		WEIGHT -		SCALE 2:1	
				SHEET 1 OF 1	